

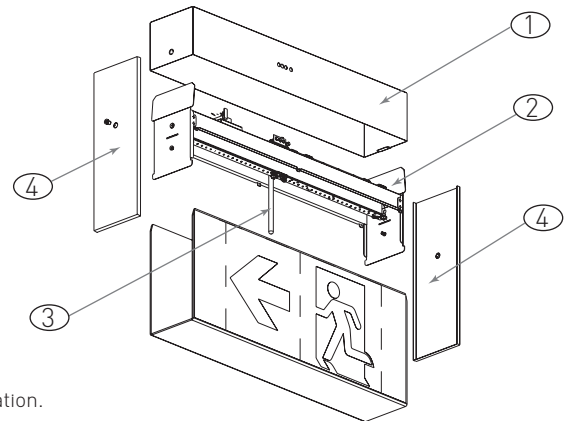
**Ceiling/Rod installation**

1. Mount the box to ceiling/rod and terminate power supply.
2. Insert geartray into retaining catch at one end.  
Pivot upwards to engage auto-connect. Fit screw.
3. Ensure the antenna is vertical for wireless (Comms) versions.
4. Fit one end panel, then diffuser and 2<sup>nd</sup> panel.

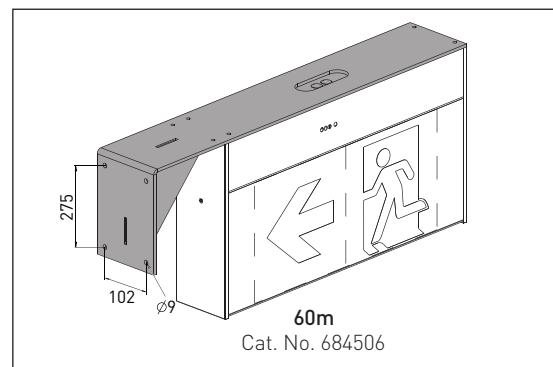
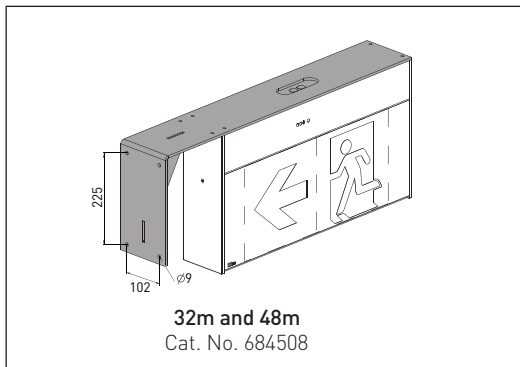
Removal follows the reverse procedure. Press test switch for the local test when the installation is complete.

Supply Voltage: 230-240 V a.c. 50 Hz

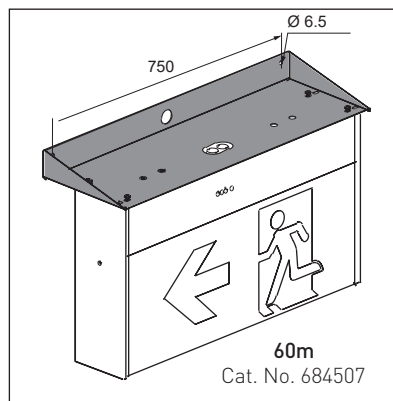
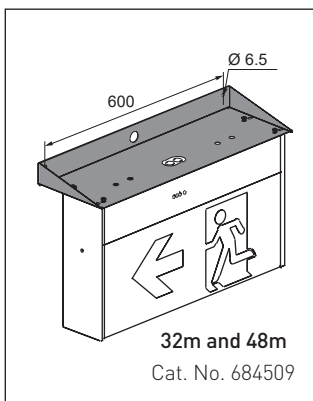
**Considerations:** This product should not be cleaned with a hose. This product must be securely attached to a suitable structural member during installation.



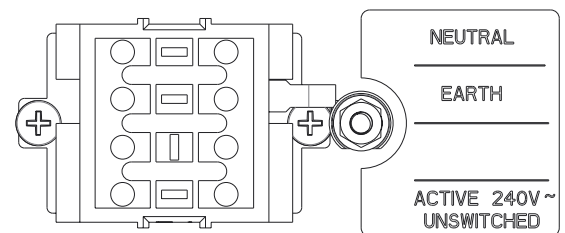
**Wall bracket Accessory**



**Wall flush mount Accessory**



**Mains supply - Connection**



- NOTE:** 1. This sign is configured for maintained operation only.  
2. For DALI models, connect the two DALI wires to the DALI terminals.

**NOTE:** All dimensions are in mm.